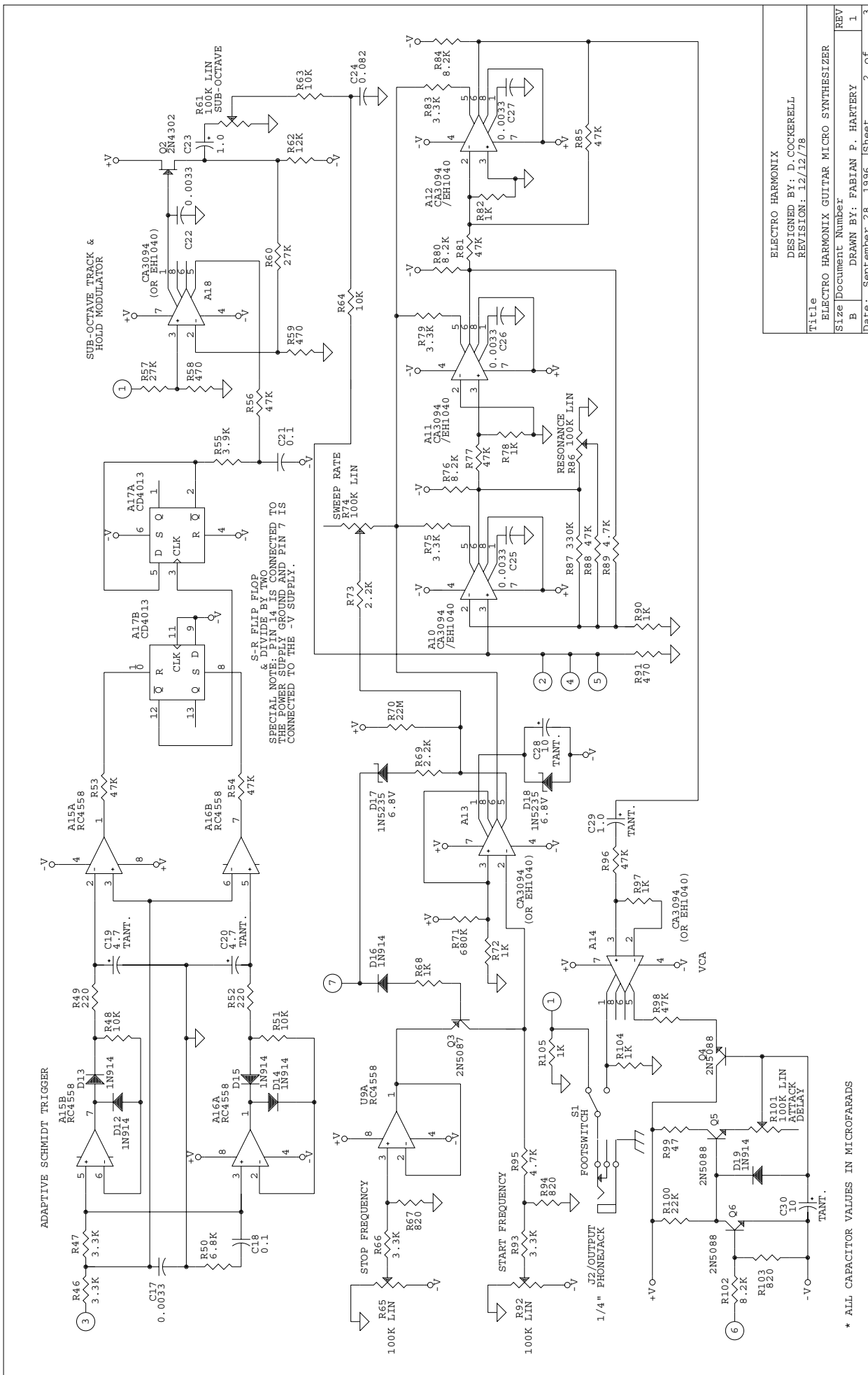


- 1 TO SUB-OCTAVE TRACK & HOLD MODULATOR (A18) & OUTPUT
- 2 TO VCF (A10)
- 3 TO ADAPTIVE SCHMITT TRIGGER
- 4 TO VCA SWEEP GENERATOR
- 5 TO VCF SWEEP GENERATOR
- 6 TO VCF SWEEP GENERATOR

Title		ELECTRO HARMONIX
Designed By:		D. COCKERELL
Revision:		12/12/78
Size		ELECTRO HARMONIX GUITAR MICRO SYNTHESIZER
Document Number		A
Drawn By:		FABIAN P. HAFTERY
Date:	September 28, 1996	Sheet 1 of 3

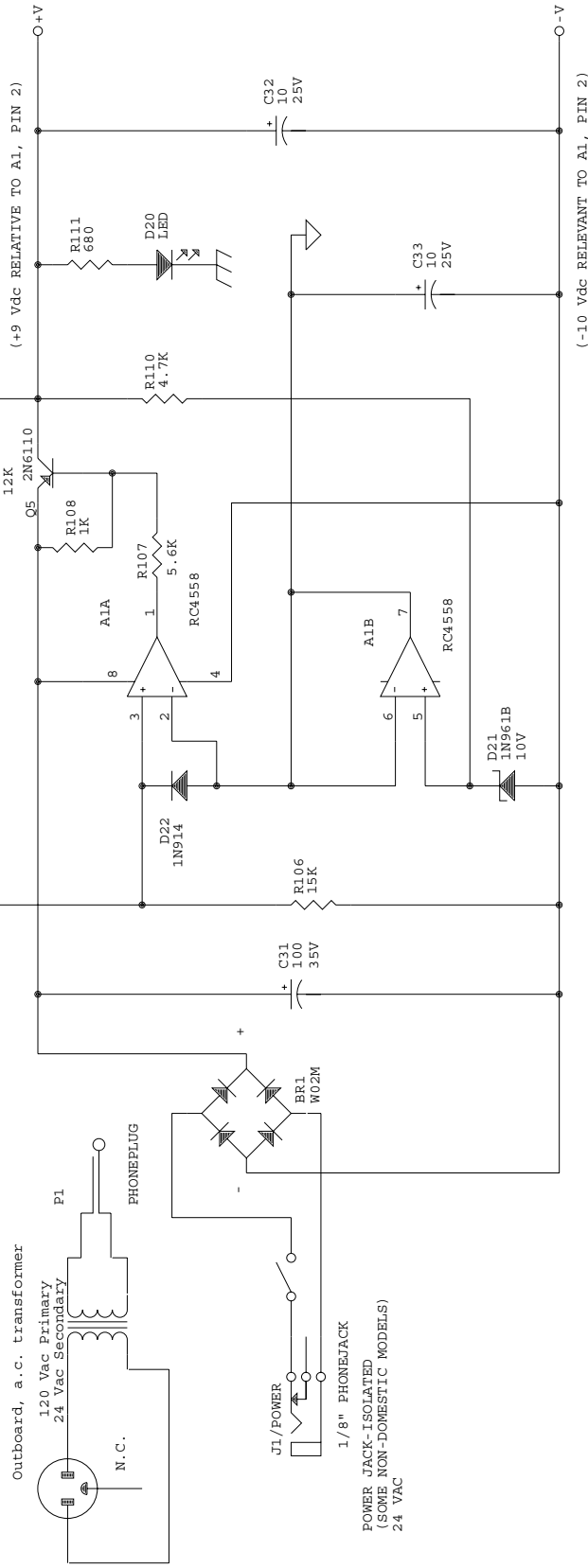
\* ALL CAPACITOR VALUES IN MICROFARADS



ELECTRO HARMONIX	
DESIGNED BY: D. COCKERELL	
REVISION: 12/12/78	
Title	
ELECTRO HARMONIX GUITAR MICRO SYNTHESIZER	
Size	Document Number
B	DRAWN BY: FABIAN P. HARTERY
Date: September 28, 1996	Sheet 2 of 3

\* ALL CAPACITOR VALUES IN MICROFARADS

2N6110 NORMALLY TOO HOT TO TOUCH



(+9 Vdc RELATIVE TO A1, PIN 2)

(-10 Vdc RELATIVE TO A1, PIN 2)

ELECTRO HARMONIX	
DESIGNED BY: D. COCKERELL	
REVISION: 12/12/78	
Title	
ELECTRO HARMONIX GUITAR MICRO SYNTHESIZER	
Size	Document Number
A	A
Drawn By:	FABIAN P. HARTERY
Date:	September 28, 1996
Sheet	3 of 3