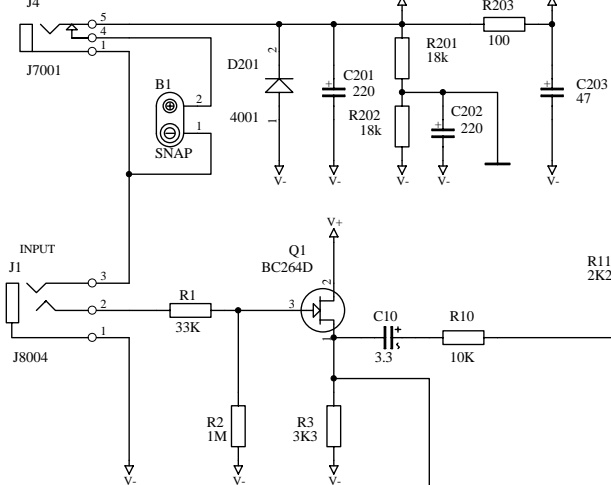
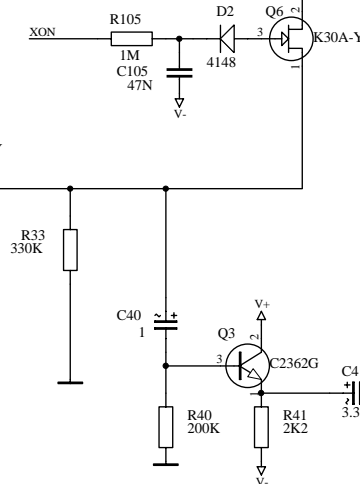
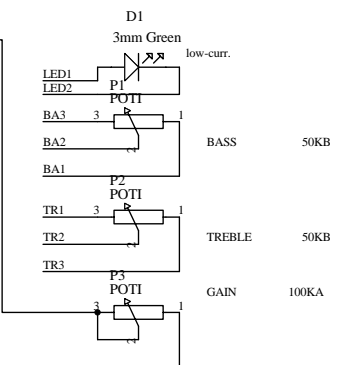
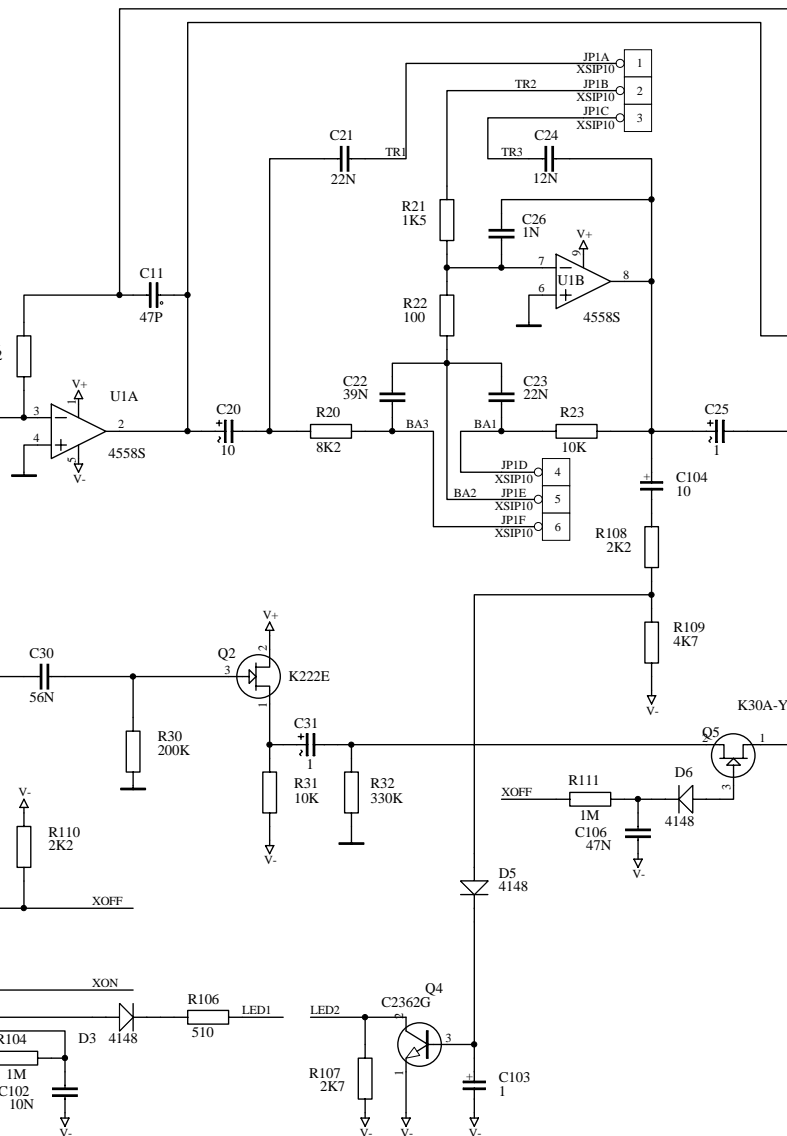
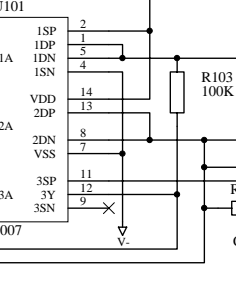
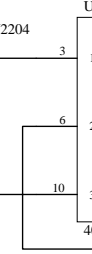
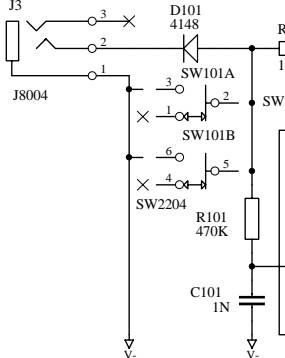


EXTERNAL POWER SUPPLY  
J4



BYPASS  
J3



(c) Copyright 1997 - ALL RIGHTS RESERVED  
All unspecified capacitors in uF, resistors carbon 5%

**MS**  
**Nobels Electronics**  
Barnerstrasse 42, 22765 Hamburg, Germany  
<http://www.nobels.com> - email: [info@nobels.com](mailto:info@nobels.com)

Title	<b>CIRCUIT DIAGRAM</b>		
Number:	<b>PREAMP-BOOSTER / PRE-1</b>	Size: <b>A4</b>	Rev: <b>2</b>
Date:	<b>21-Jan-2000</b>	Time: <b>15:46:10</b>	Sheet <b>1</b> of <b>1</b>
File:	<b>R:\SPROPEDSIDSGN\PRE-1\PRE1R1.SCH</b>		